

# *Spare Parts Catalogue*

---

Version: PartList\_EMOTIONM1520151020a.xls EN



e-motion<sup>®</sup>



**Yes, you can.®**

## **General Information**

*For any order of spare parts the following information is required:*

- Product type*
- Product name & model*
- Serial Number*
- Part-Number*
- Part-Description*

*Exploded view drawings and code numbers are not contractual and subject to modification, in relation to Invacare® continuous product improvement policy to meet end users needs.*

*The reproduction or use of this work, or of any substantial part of this work, in any form or by any electronic, mechanical or other means, including photocopying, scanning and recording, and in any information storage and retrieval system, including electronic transmission, is forbidden without the prior written permission of Invacare® International Sarl.*



**Yes, you can.®**

## **TABLE OF CONTENTS**

---

### **Drive wheels e-motion**

Drive wheels e-motion . . . . .	5
Drive wheels e-motion spare-parts . . . . .	6

### **Anti-tippers with jack-up function**

Anti-tippers with jack-up function . . . . .	7
Anti-tippers with jack-up function Ersatzteile . . . . .	8

### **Bracket for e-motion**

Bracket for e-motion . . . . .	9
Bracket for e-motion spare-parts . . . . .	10

### **Remote Control e-motion M15**

Remote Control e-motion M15 . . . . .	11
Remote control e-motion spare-parts . . . . .	12

### **Battery charger e-motion M15**

Battery charger e-motion M15 . . . . .	13
--	----

### **Battery pack e-motion M15**

Battery pack e-motion M15 . . . . .	14
-------------------------------------	----

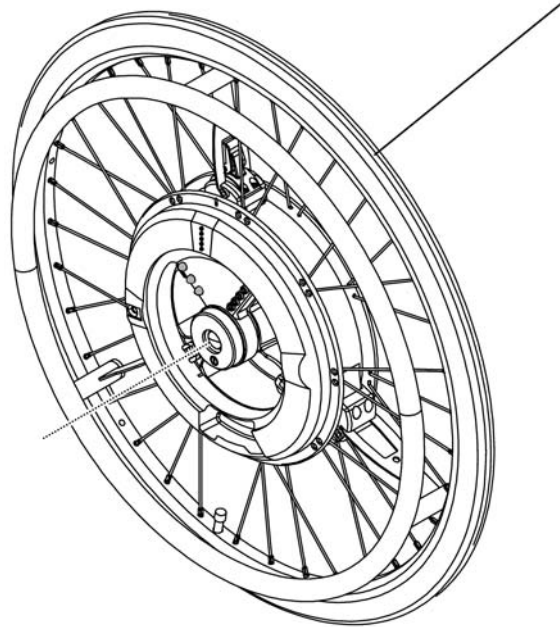


## Drive wheels e-motion

1519456

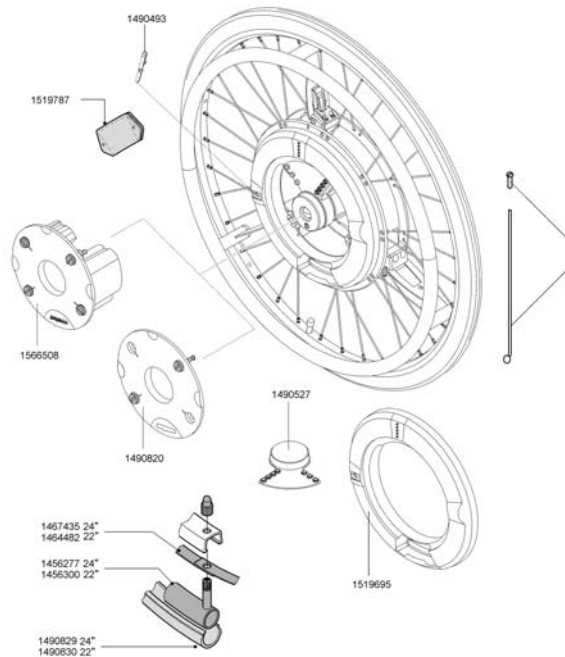
1519457

1519458



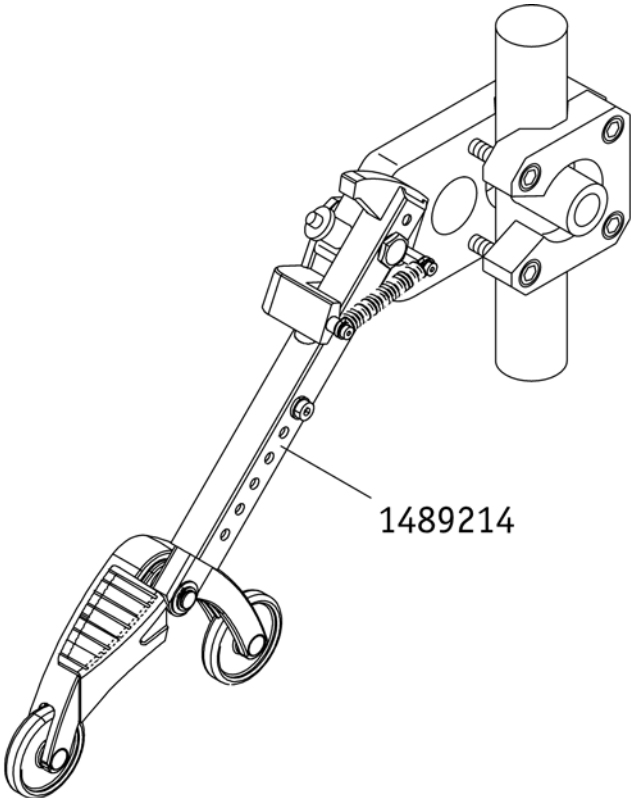
Pos.	Part number	Description	Valid from → until	Qty
	1519456	wheel e-motion M15 24"		1
	1519457	wheel e-motion M15 22"		1
	1519458	wheel e-motion M15 24" rubber coated pushrim		1
	-	Drive wheels e-motion spare-parts		1

## Drive wheels e-motion spare-parts



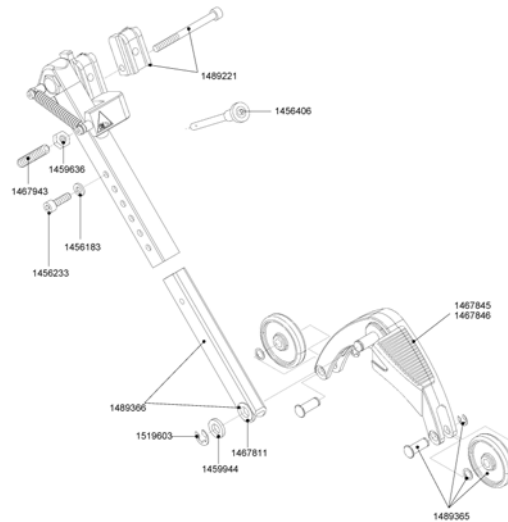
Pos.	Part number	Description	Valid from → until	Qty
	1519787	Reflector e-motion		1
	1566508	Battery pack e-motion M15		1
	1490493	Cover charger socket M15		1
	1490820	Protection cover for e-motion M15 wheel		1
	1490527	Protection cover for e-motion M15 battery		1
	1490954	Spoke set M15 22" Dia. 2,0mm 5 spokes and nipples		1
	1490955	Spoke set M15 24" Dia. 2,0mm 5 spokes and nipples		1
	1464482	Rim strip 22"		1
	1467435	Rim strip Super HP 24" (16-540) pressure resistant		1
	1456277	Tube 24 x 1" Schrader valve		1
	1456300	Tube 22 x 1" Schrader valve		1
	1490829	Tyre "SmartGuard Rightrun plus" 24 x 1"		1
	1490830	Tyre "SmartGuard Rightrun plus" 22 x 1"		1
	1519695	Cover for wheel hub complete with socket <i>replaces 1490860</i>		1

### Anti-tippers with jack-up function



Pos.	Part number	Description	Valid from → until	Qty
	1489214	Anti-tippers with jack-up function (pair)		1
	-	Anti-tippers with jack-up function Ersatzteile		1

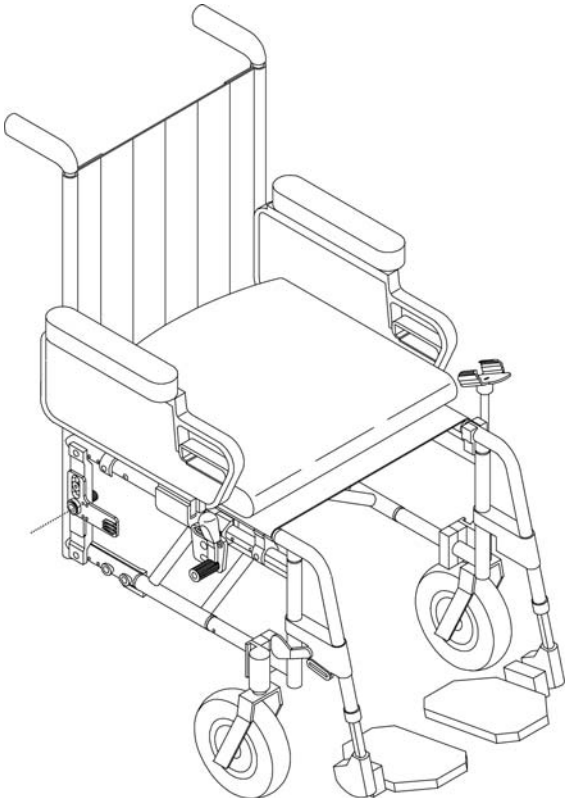
## Anti-tippers with jack-up function Ersatzteile



Pos.	Part number	Description	Valid from → until	Qty
	1456406	Quickpin quick release bolt		1
	1467845	Support angle right for anti-tippers		1
	1467846	Support angle left for anti-tippers		1
	1489365	Wheel for anti-tippers		1
	1463394	Locking ring DIN 471 - 10 x 1 - A2		1
	1489366	Slide rod anti-tippers		1
	1456233	Cylinder head screw M 6 x 20		1
	1456183	Washer DIN 125 - A 6,4		1
	1467943	Threaded pin M 8 x 45 DIN 913 - 45 H		1
	1459636	Hexagon nut ISO 4032 - M8 vz		1
	1489110	Clamping piece for adapter		1
	1489219	Fixation set for anti-tippers small version 2 x 15mm shoe		1
	1489220	Fixation set for anti-tippers expanded version 4 x 15mm shoe		1
	1489221	Spacer kit for anti-tippers E-Fix type		1

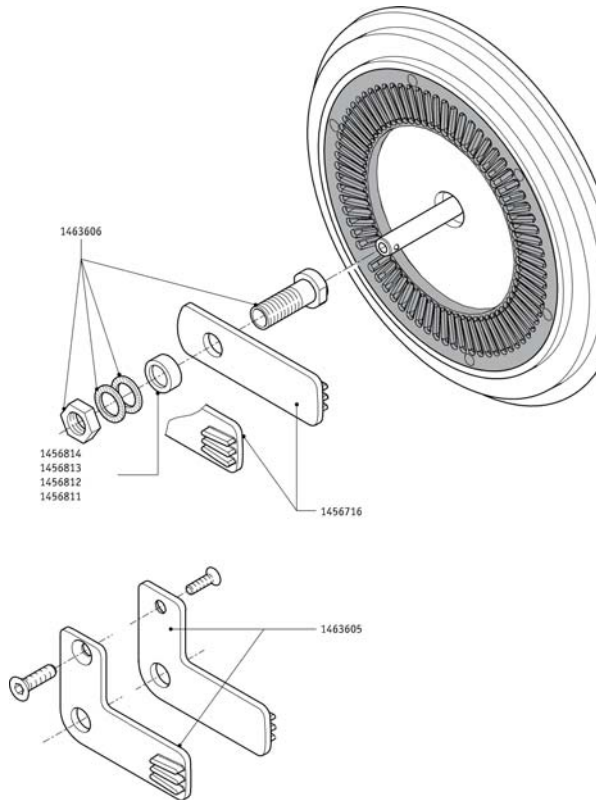


# Bracket for e-motion



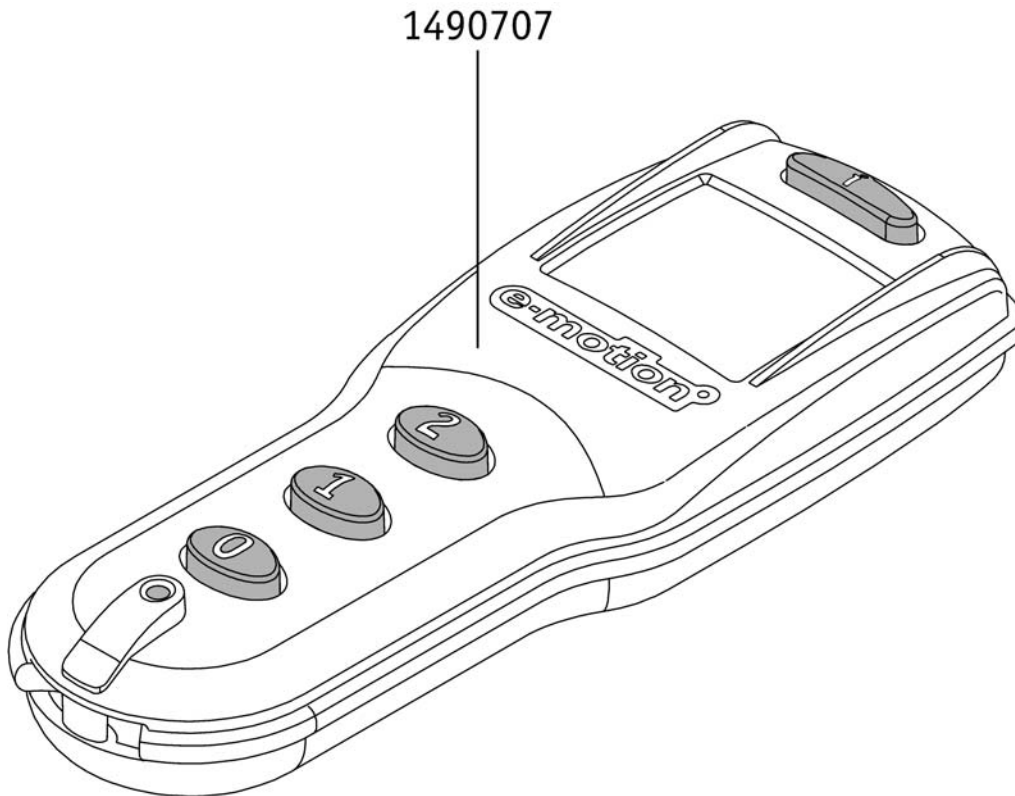
Pos.	Part number	Description	Valid from → until	Qty
	1457837	Bracket for e-motion		1
	-	Bracket for e-motion spare-parts		1

## Bracket for e-motion spare-parts



Pos.	Part number	Description	Valid from → until	Qty
	1463606	Axle Receiver 1/2, Length=50,8Mm Incl. Nord-Lock And Nut Incl. Nord-Lock And Nut		1
	1463607	Adapter sleeve 1/2" Length 30.8mm inclusive Nord-Lock washer and nut		1
	1463608	Adapter sleeve 1/2" Length 48.0mm inclusive Nord-Lock washer and nut		1
	1456716	Torque receiver e-motion straight galvanized and colorless chromized		1
	1463605	Torque receiver e-motion with angle (pair)		1
	1456811	Spacer ring aluminium 25 x 17 x 16 long		1
	1456812	Spacer ring aluminium 25 x 17 x 10 long		1
	1456813	Spacer ring aluminium 25 x 17 x 8 long		1
	1456814	Spacer ring aluminium 25 x 17 x 5 long		1

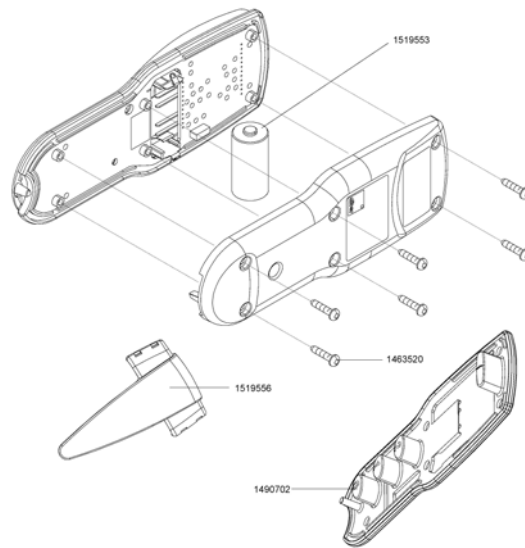
## Remote Control e-motion M15



1490707

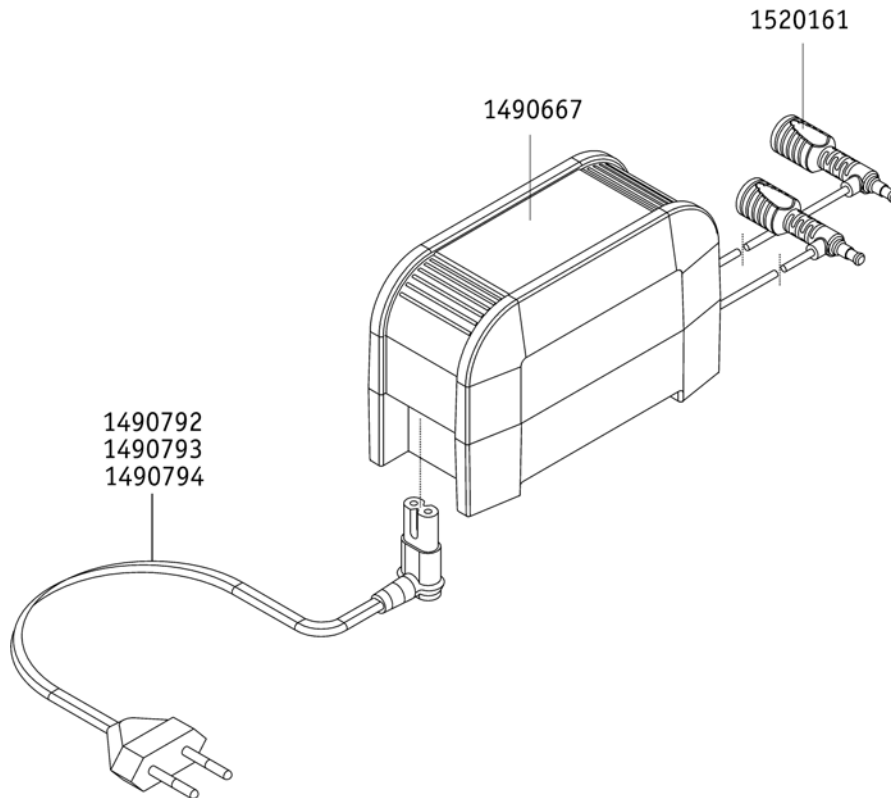
Pos.	Part number	Description	Valid from → until	Qty
	1490707	Remote Control e-motion M15		1
	-	Remote control e-motion spare-parts		1

## Remote control e-motion spare-parts



Pos.	Part number	Description	Valid from → until	Qty
	1519553	battery CR 123 A-1550 mA VARTA		1
	1463520	Screw Ejot PT K 30 x 14 WN		1

## Battery charger e-motion M15



Pos.	Part number	Description	Valid from → until	Qty
	1490667	Battery charger e-motion M15 with main cable EU		1
	1490792	Main cable EU for charger, angled		1
	1520161	Charging cable M15 <i>replaces 1519712</i>		1
	1490793	Mains cable charger USA e-motion M15/PS3025		1
	1490794	Mains cable for charger e-motion M15 PS3025		1

# Battery pack e-motion M15



1566508

Pos.	Part number	Description	Valid from → until	Qty
	1566508	Battery pack e-motion M15		1





Yes, you can.®



---

**Belgium & Luxemburg:**

Invacare nv, Autobaan 22, B-8210 Loppem  
Tel: (32) (0)50 83 10 10, Fax: (32) (0)50 83 10 11  
belgium@invacare.com / www.invacare.be

**Denmark:**

Invacare A/S, Sdr. Ringvej 37, DK-2605 Brøndby  
Tel: (45) (0)36 90 00 00, Fax: (45) (0)36 90 00 01  
denmark@invacare.com / www.invacare.dk

**Deutschland:**

Invacare Aquatec GmbH, Alemannenstraße 10, D-88316 Isny  
Tel: (49) (0)75 62 7 00 0, Fax: (49) (0)75 62 7 00 66  
info@invacare-aquatec.com / www.invacare-aquatec.de

**European Distributor Organisation:**

Invacare, Kleiststraße 49, D-32457 Porta Westfalica  
Tel: (49) (0)57 31 754 540, Fax: (49) (0)57 31 754 541  
edo@invacare.com / www.invacare.eu.com

**España:**

Invacare SA, c/Areny s/n, Polígon Industrial de Celrà, E-17460 Celrà (Girona)  
Tel: (34) (0)972 49 32 00, Fax: (34) (0)972 49 32 20  
contactsp@invacare.com / www.invacare.es

**France:**

Invacare Poirier SAS, Route de St Roch, F-37230 Fondettes  
Tel: (33) (0)2 47 62 64 66, Fax: (33) (0)2 47 42 12 24  
contactfr@invacare.com / www.invacare.fr

**Ireland:**

Invacare Ireland Ltd, Unit 5 Seatown Business Campus, Seatown Road, Swords, County Dublin - Ireland  
Tel: (353) 1 810 7084, Fax: (353) 1 810 7085  
ireland@invacare.com / www.invacare.ie

**Italia:**

Invacare Mecc San s.r.l., Via dei Pini 62, I-36016 Thiene (VI)  
Tel: (39) 0445 38 00 59, Fax: (39) 0445 38 00 34  
italia@invacare.com / www.invacare.it

**Nederland:**

Invacare BV, Celsiusstraat 46, NL-6716 BZ Ede  
Tel: (31) (0)318 695 757, Fax: (31) (0)318 695 758  
nederland@invacare.com, csede@invacare.com / www.invacare.nl

**Norge:**

Invacare AS, Grensesvingen 9, Postboks 6230, Etterstad, N-0603 Oslo  
Tel: (47) (0)22 57 95 00, Fax: (47) (0)22 57 95 01  
norway@invacare.com, island@invacare.com / www.invacare.no

**Österreich:**

Invacare Austria GmbH, Herzog Odilostrasse 101, A-5310 Mondsee  
Tel: (43) 6232 5535 0, Fax: (43) 6232 5535 4  
info-austria@invacare.com / www.invacare.at

**Portugal:**

Invacare Lda, Rua Estrada Velha, 949, P-4465-784 Leça do Balio  
Tel: (351) (0)225 1059 46/47, Fax: (351) (0)225 1057 39  
portugal@invacare.com / www.invacare.pt

**Sverige & Suomi:**

Invacare AB, Fagerstagatan 9, S-163 91 Spånga  
Tel: (46) (0)8 761 70 90, Fax: (46) (0)8 761 81 08  
sweden@invacare.com, finland@invacare.com / www.invacare.se

**Switzerland:**

Invacare AG, Benkenstrasse 260, CH-4108 Witterswil  
Tel: (41) (0)61 487 70 80, Fax: (41) (0)61 487 70 81  
switzerland@invacare.com / www.invacare.ch

**United Kingdom:**

Invacare Limited, Pencoed Technology Park, Pencoed, Bridgend CF35 5AQ  
Switchboard Tel: (44) (0)1656 776200, Fax: (44) (0)1656 776201  
Customer services Tel: (44) (0)1656 776222, Fax: (44) (0)1656 776220  
uk@invacare.com / www.invacare.co.uk