

Spare Parts Catalogue

Version: 2015/01/06a EN



Invacare® **Roze**™



Yes, you can.®

General Information

For any order of spare parts the following information is required:

- Product type*
- Product name & model*
- Serial Number*
- Part-Number*
- Part-Description*

Exploded view drawings and code numbers are not contractual and subject to modification, in relation to Invacare® continuous product improvement policy to meet end users needs.

The reproduction or use of this work, or of any substantial part of this work, in any form or by any electronic, mechanical or other means, including photocopying, scanning and recording, and in any information storage and retrieval system, including electronic transmission, is forbidden without the prior written permission of Invacare® International Sarl.



Yes, you can.[®]

TABLE OF CONTENTS

Base and Leg

Base assembly with electrical leg	5
Moteur actuator for electrical leg	6

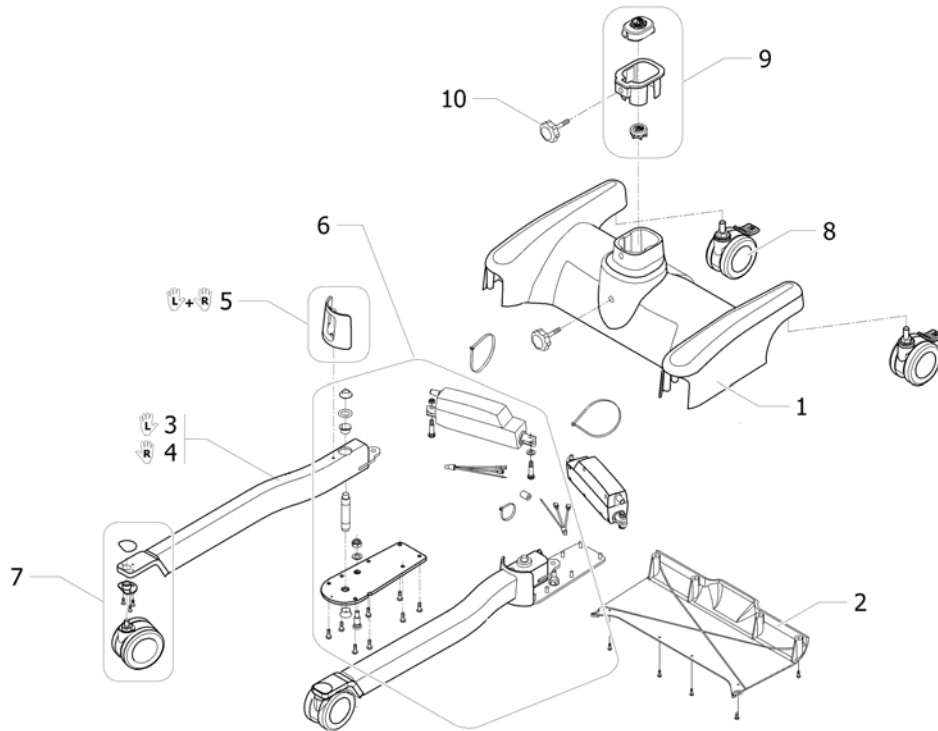
Electrical Parts

Control units	7
---------------------	---

Mast

Mast assembly	8
Knee pad and footplate assembly	9
Motor mast and lifting arm	10

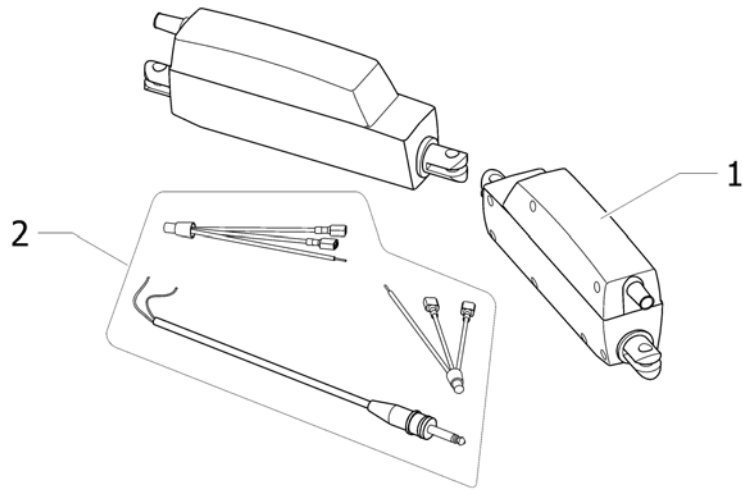
Base assembly with electrical leg



1595-1545561-.....

Pos.	Part number	Description	Valid from → until	Qty
1	1171524	Base Aluminum <i>Replace 1148593</i>		1
2	1148607	Cover base plastic blue		1
3	1146887	Leg assembly full body Roze white Lh		1
4	1146888	Leg Assembly full fody Roze white Rh		1
5	1161591	Kit toe protection (Pair)		1
6	1169844	Kit base hardware (Pair)		1
7	1161582	Kit front castor and hardware (Pair)		1
8	1148605	Castor rear with M12 Bolt		2
9	1171481	Kit mast/base socket <i>Replace 1161588</i>		1
10	1148489	Knob M8		2

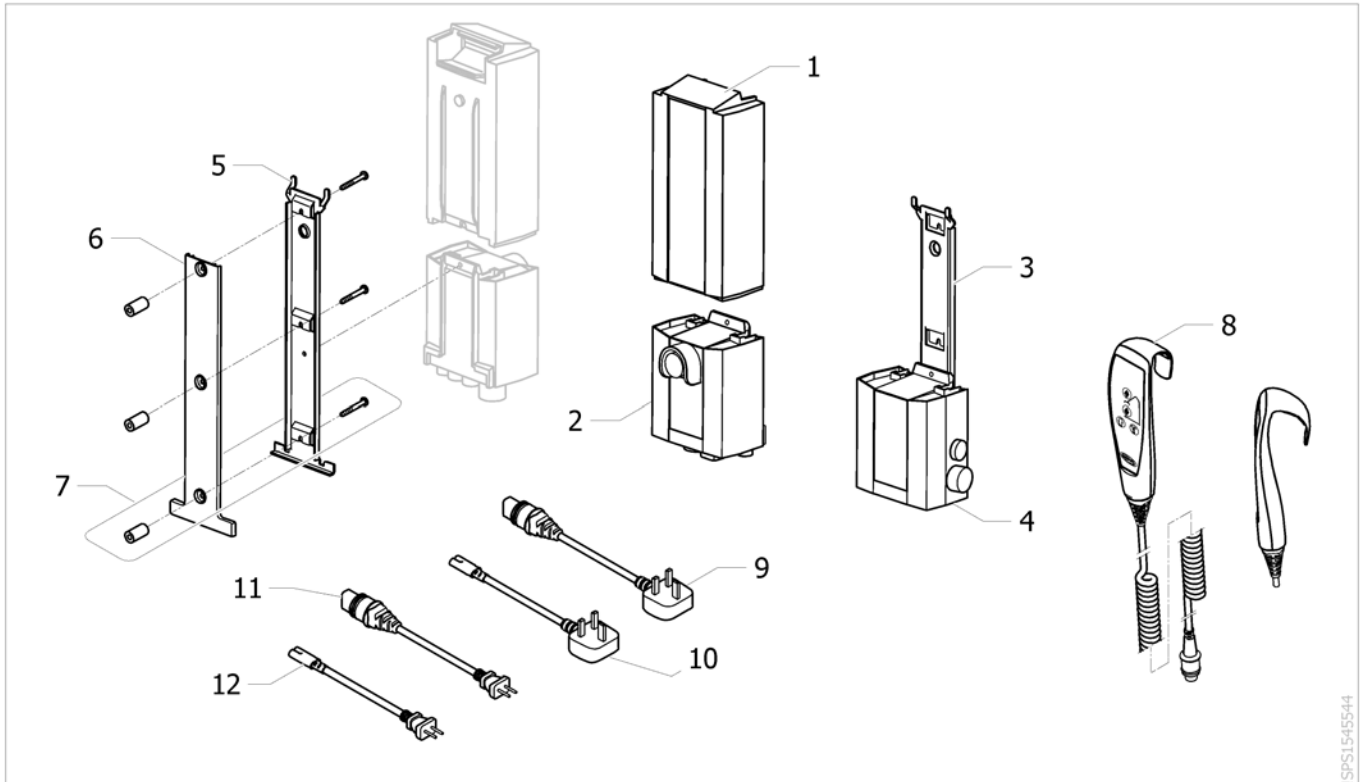
Moteur actuator for electrical leg



!SPS!545512

Pos.	Part number	Description	Valid from → until	Qty
1	1171363	Motor LINAK LA12		2
2	1171360	Kit Controller Wire <i>Replace 1161583</i>		1

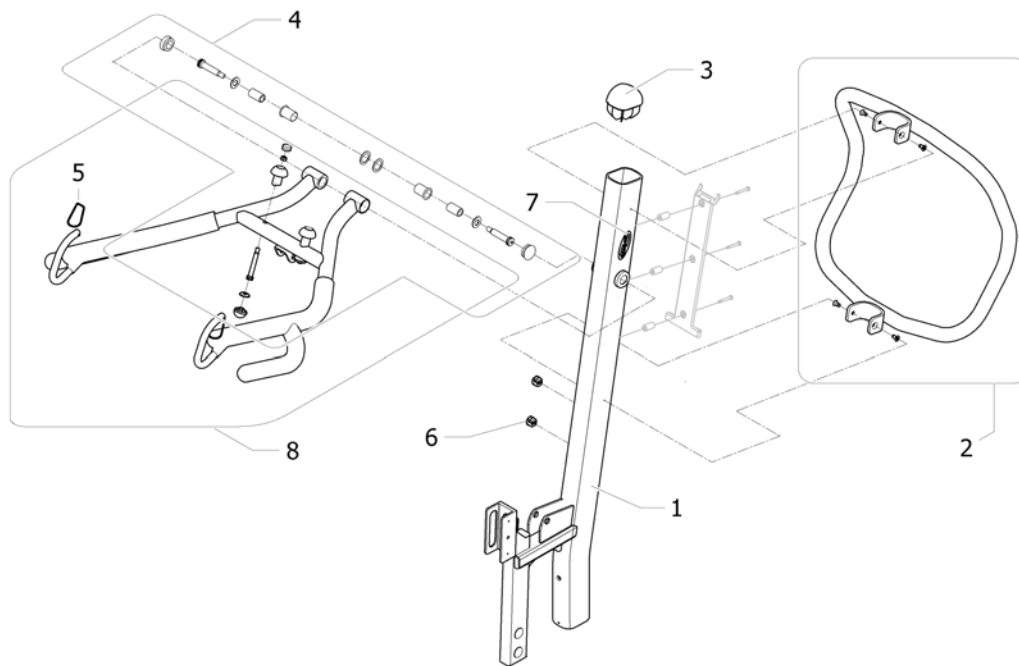
Control units



SPS1545544

Pos.	Part number	Description	Valid from → until	Qty
1	SP1514573-7035	Battery c/w housing CBJ control units RAL 7035 <i>Replace 1514573-7035</i>		1
2	SP1528279-7035	Control unit EU <i>Replace 1528279-7035</i>		1
3	SP1078306	Bracket, Wall Mount Charger - Electric Only <i>Replace 1078306</i>		1
4	SP1152391	Wall charger <i>Replace 1152391</i>		1
5	1078284	Bracket battery electric only		1
6	1155348	Cover battery bracket		1
7	1161590	Kit battery bracket hardware		1
8	1177596	Handset, 4 Channel with Hook HB30002-XX <i>Replace SP1155872</i>		1
9	1079134	Cord UK electric only (for charger)		1
10	P90047	Mains Lead 3 Pin U.K. <i>Replace 1155874</i>		1
11	1079135	Cord EU electric only (for Charger)		1
12	1155873	Cord EU electric only (for Controller)		1

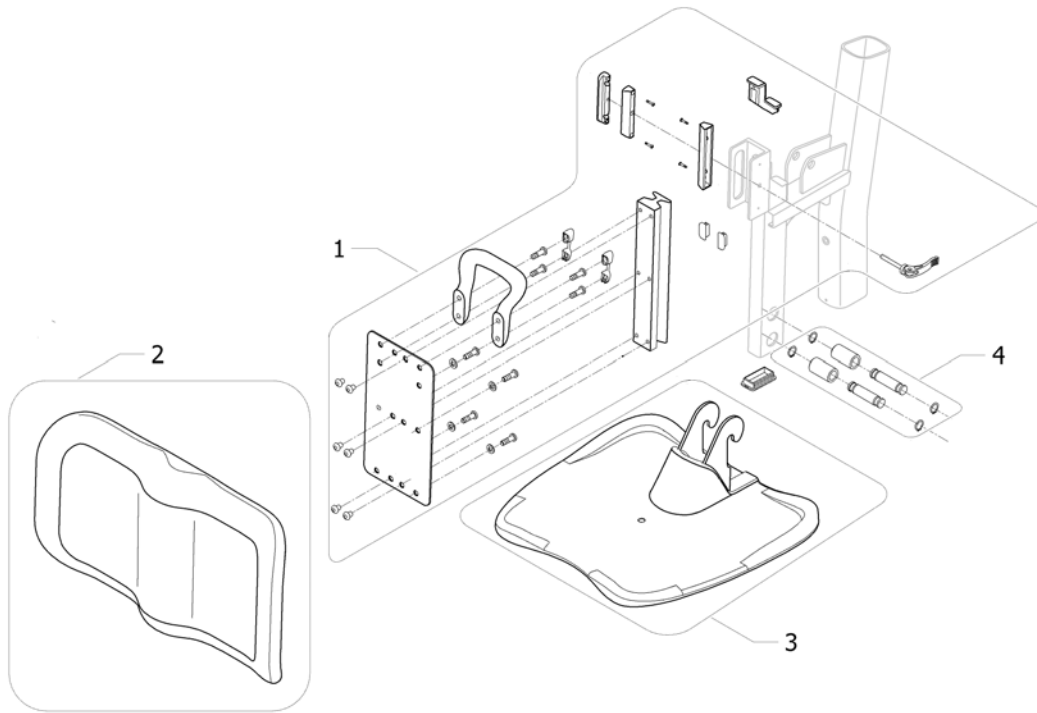
Mast assembly



ISPS-1545564-.....

Pos.	Part number	Description	Valid from → until	Qty
1	1148556	WLDMT mast stand-up Roze		1
2	1161580	Kit push handle blue		1
3	1148545	Plug cover		1
4	1161597	Kit lifting arm mounting hardware		1
5	1169846	Kit cap hook sling		2
6	1161587	Package wire lock		2
7	1156226	Kit label and decal Roze EU		1
8	1148492	Lifting arm assembly stand up white		1

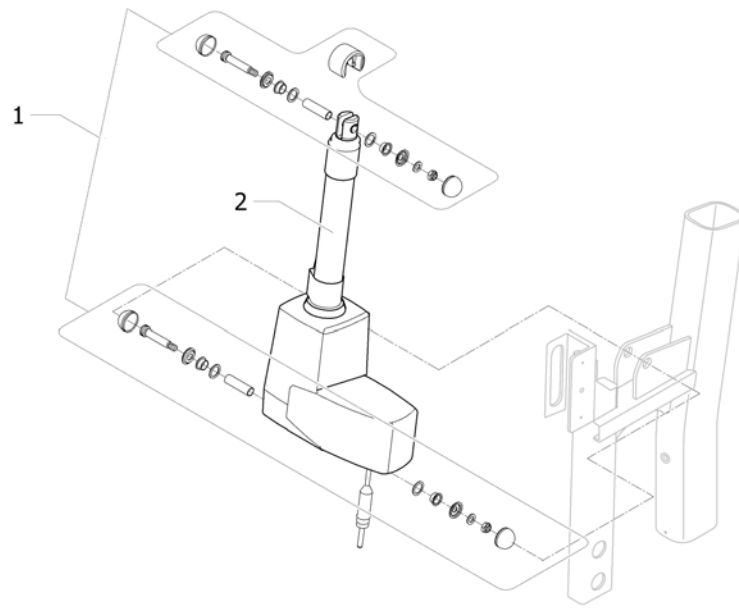
Knee pad and footplate assembly



ISPS-1545565-.....

Pos.	Part number	Description	Valid from → until	Qty
1	1161594	Kit knee pad mounting hardware		1
2	1148516	Knee pad assembly blue		1
3	1148520	Footplate assembly with cover blue		1
4	1161595	Kit footplate hanger hardware		1

Motor mast and lifting arm



ISPS1545566-----

Pos.	Part number	Description	Valid from → until	Qty
1	1161598	Kit mast actuator mounting hardware		1
2	1148550	Motor 340528-00 LINAK LA34(250)		1



Yes, you can.®



Belgium & Luxemburg:

Invacare nv, Autobaan 22, B-8210 Loppem
Tel: (32) (0)50 83 10 10, Fax: (32) (0)50 83 10 11
belgium@invacare.com / www.invacare.be

Denmark:

Invacare A/S, Sdr. Ringvej 37, DK-2605 Brøndby
Tel: (45) (0)36 90 00 00, Fax: (45) (0)36 90 00 01
denmark@invacare.com / www.invacare.dk

Deutschland:

Invacare Aquatec GmbH, Alemannenstraße 10, D-88316 Isny
Tel: (49) (0)75 62 7 00 0, Fax: (49) (0)75 62 7 00 66
info@invacare-aquatec.com / www.invacare-aquatec.de

European Distributor Organisation:

Invacare, Kleiststraße 49, D-32457 Porta Westfalica
Tel: (49) (0)57 31 754 540, Fax: (49) (0)57 31 754 541
edo@invacare.com / www.invacare.eu.com

España:

Invacare SA, c/Areny s/n, Polígon Industrial de Celrà, E-17460 Celrà (Girona)
Tel: (34) (0)972 49 32 00, Fax: (34) (0)972 49 32 20
contactsp@invacare.com / www.invacare.es

France:

Invacare Poirier SAS, Route de St Roch, F-37230 Fondettes
Tel: (33) (0)2 47 62 64 66, Fax: (33) (0)2 47 42 12 24
contactfr@invacare.com / www.invacare.fr

Ireland:

Invacare Ireland Ltd, Unit 5 Seatown Business Campus, Seatown Road, Swords, County Dublin - Ireland
Tel: (353) 1 810 7084, Fax: (353) 1 810 7085
ireland@invacare.com / www.invacare.ie

Italia:

Invacare Mecc San s.r.l., Via dei Pini 62, I-36016 Thiene (VI)
Tel: (39) 0445 38 00 59, Fax: (39) 0445 38 00 34
italia@invacare.com / www.invacare.it

Nederland:

Invacare BV, Celsiusstraat 46, NL-6716 BZ Ede
Tel: (31) (0)318 695 757, Fax: (31) (0)318 695 758
nederland@invacare.com, csede@invacare.com / www.invacare.nl

Norge:

Invacare AS, Grensesvingen 9, Postboks 6230, Etterstad, N-0603 Oslo
Tel: (47) (0)22 57 95 00, Fax: (47) (0)22 57 95 01
norway@invacare.com, island@invacare.com / www.invacare.no

Österreich:

Invacare Austria GmbH, Herzog Odilostrasse 101, A-5310 Mondsee
Tel: (43) 6232 5535 0, Fax: (43) 6232 5535 4
info-austria@invacare.com / www.invacare.at

Portugal:

Invacare Lda, Rua Estrada Velha, 949, P-4465-784 Leça do Balio
Tel: (351) (0)225 1059 46/47, Fax: (351) (0)225 1057 39
portugal@invacare.com / www.invacare.pt

Sverige & Suomi:

Invacare AB, Fagerstagatan 9, S-163 91 Spånga
Tel: (46) (0)8 761 70 90, Fax: (46) (0)8 761 81 08
sweden@invacare.com, finland@invacare.com / www.invacare.se

Switzerland:

Invacare AG, Benkenstrasse 260, CH-4108 Witterswil
Tel: (41) (0)61 487 70 80, Fax: (41) (0)61 487 70 81
switzerland@invacare.com / www.invacare.ch

United Kingdom:

Invacare Limited, Pencoed Technology Park, Pencoed, Bridgend CF35 5AQ
Switchboard Tel: (44) (0)1656 776200, Fax: (44) (0)1656 776201
Customer services Tel: (44) (0)1656 776222, Fax: (44) (0)1656 776220
uk@invacare.com / www.invacare.co.uk