

# *Spare Parts Catalogue*

---

Version: 2015/08/19d EN



*Invacare*® **Topaz**



**Yes, you can.®**

## **General Information**

*For any order of spare parts the following information is required:*

- Product type*
- Product name & model*
- Serial Number*
- Part-Number*
- Part-Description*

*Exploded view drawings and code numbers are not contractual and subject to modification, in relation to Invacare® continuous product improvement policy to meet end users needs.*

*The reproduction or use of this work, or of any substantial part of this work, in any form or by any electronic, mechanical or other means, including photocopying, scanning and recording, and in any information storage and retrieval system, including electronic transmission, is forbidden without the prior written permission of Invacare® International Sarl.*



Yes, you can.®

## TABLE OF CONTENTS

---

### Chassis

Sideframes .....	5
Crossbrace .....	6

### Seat

Seat Upholstery .....	7
Solid Seat Inserts .....	8

### Backrest

Back Cane Assemblies .....	9
Back Upholstery .....	10
Push Bar .....	11

### Legrests

Swing Away Legrest .....	12
Elevating Legrest .....	13
Calf Strap .....	14

### Footrests

Footrest .....	15
One Piece Footboard .....	16
Heel Loops .....	17

### Siderests

Adjustable Height Arms .....	18
Fixed Height Arms .....	19

### Front Wheel

Castor Fork Assembly .....	20
Front Castor .....	21

### Rear Wheel

Rear Wheel .....	22
------------------	----

### Brakes

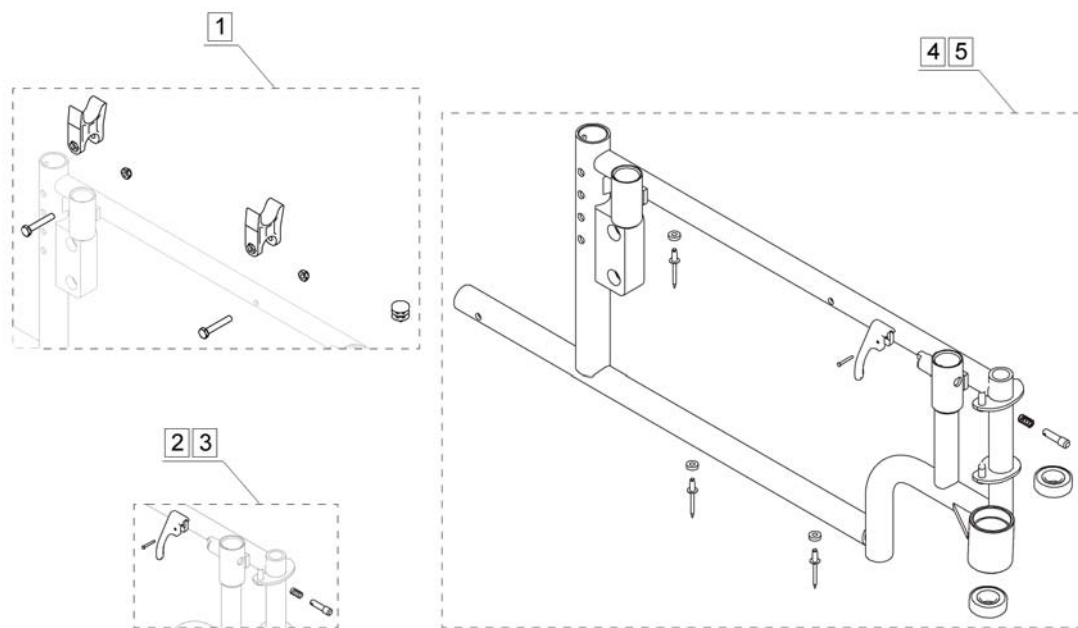
Brake .....	23
-------------	----

### Other Options & Accessories

Crutch & Cane Holder .....	24
Brake Extension 6" .....	25
Non Folding Device Assembly .....	26
Anti Tippers .....	27
Oxygen Holder .....	28
Seat Positioning Straps .....	29
I.V. Rod .....	30

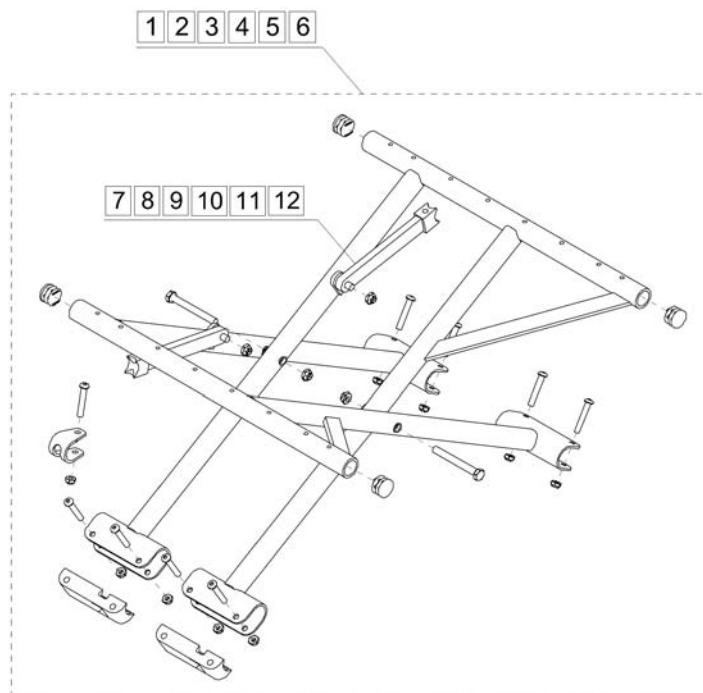


## Sideframes

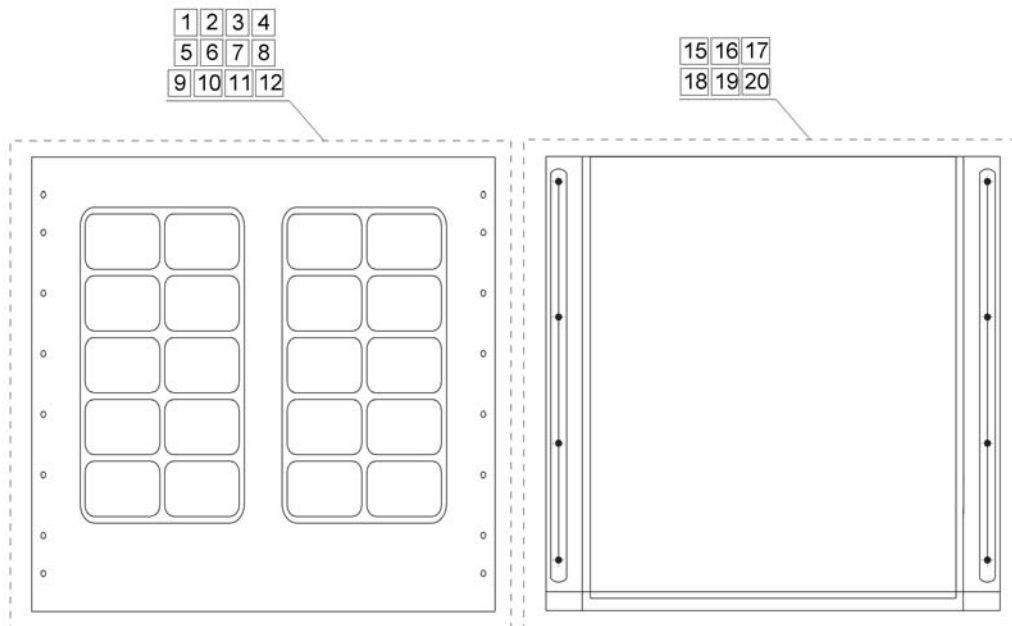


Pos.	Part number	Description	Valid from → until	Qty
1	1100792	Kit, Frame Hardware (pair)		1
2	7100053	Armlock Assembly, Black - Right		1
3	7100054	Armlock Assembly, Black - Left		1
4	8881139590	Side Frame Assembly, Right		1
5	8881139591	Side Frame Assembly, Left		1
6	1031450	Touch Up Paint - Wet Black		1

# Crossbrace

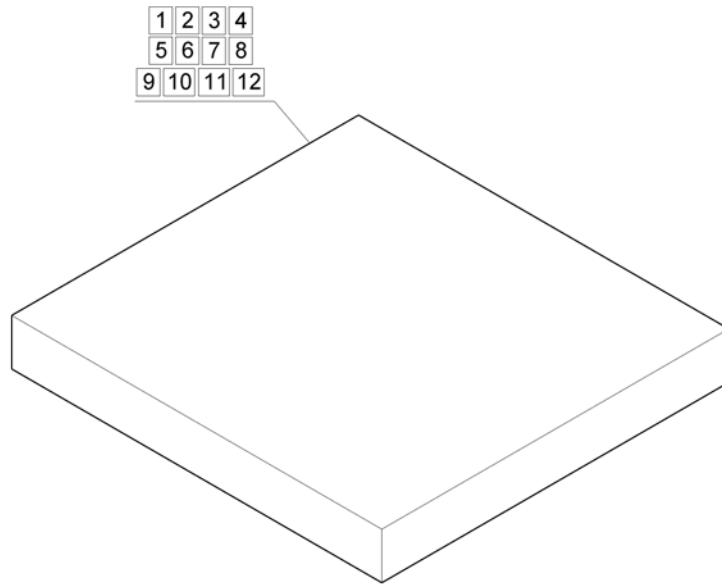


Pos.	Part number	Description	Valid from → until	Qty
1	1100791	Crossbrace Hardware (20" W) (Crossbrace not included)		1
2	1100828	Crossbrace Hardware (22" W) (Crossbrace not included)		1
3	1100829	Crossbrace Hardware (24" W) (Crossbrace not included)		1
4	1100830	Crossbrace Hardware (26"W) (Crossbrace not included)		1
5	1100831	Crossbrace Hardware (28"W) (Crossbrace not included)		1
6	1100832	Crossbrace Hardware (30" W) (Crossbrace not included)		1
7	1100833	Link, Black (20" W)		1
8	1100834	Link, Black (22" W)		1
9	1100835	Link, Black (24" W)		1
10	1100836	Link, Black (26" W)		1
11	1100837	Link, Black (28" W)		1
12	1100832	Crossbrace Hardware (30" W) (Crossbrace not included)		1



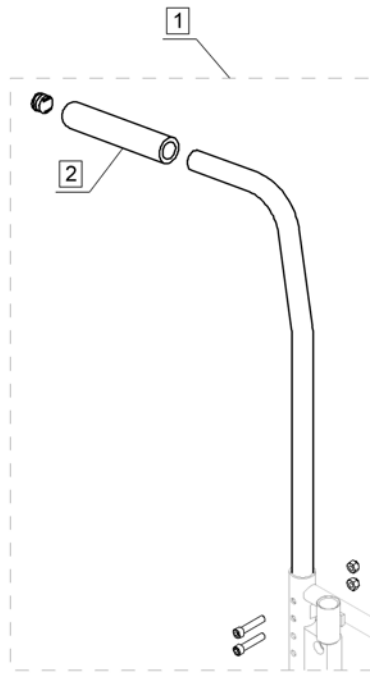
Pos.	Part number	Description	Valid from → until	Qty
1	8881101434	Seat Upholstery (20"W x 18"D) - Vinyl - UK		1
2	8881101435	Seat Upholstery (22"W x 18"D) - Vinyl - UK		1
3	8881101436	Seat Upholstery (24"W x 18"D) - Vinyl - UK		1
4	8881101437	Seat Upholstery (26"W x 18"D) - Vinyl - UK		1
5	8881101438	Seat Upholstery (28"W x 18"D) - Vinyl - UK		1
6	8881101439	Seat Upholstery (30"W x 18"D) - Vinyl - UK		1
7	8881101466	Seat Upholstery (20"W x 20"D) - Vinyl - UK		1
8	8881101467	Seat Upholstery (22"W x 20"D) - Vinyl - UK		1
9	8881101468	Seat Upholstery (24"W x 20"D) - Vinyl - UK		1
10	8881101469	Seat Upholstery (26"W x 20"D) - Vinyl - UK		1
11	8881101470	Seat Upholstery (28"W x 20"D) - Vinyl - UK		1
12	8881101471	Seat Upholstery (30"W x 20"D) - Vinyl - UK		1
13	1101447	Seat Hardware, 18" Deep Chair		1
14	1101446	Seat Hardware, 20" Deep Chair		1
15	1163496	Seat Upholstery (26"W x 18"D) - Nylon - French		1
16	1101509	Seat Upholstery (26"W x 18"D) - Nylon - French		1
17	1164777	Seat Upholstery (30"W x 18"D) - Nylon - French		1
18	1164778	Seat Upholstery (26"W x 20"D) - Nylon - French		1
19	1164779	Seat Upholstery (28"W x 20"D) - Nylon - French		1
20	1164780	Seat Upholstery (30"W x 20"D) - Nylon - French		1

## Solid Seat Inserts



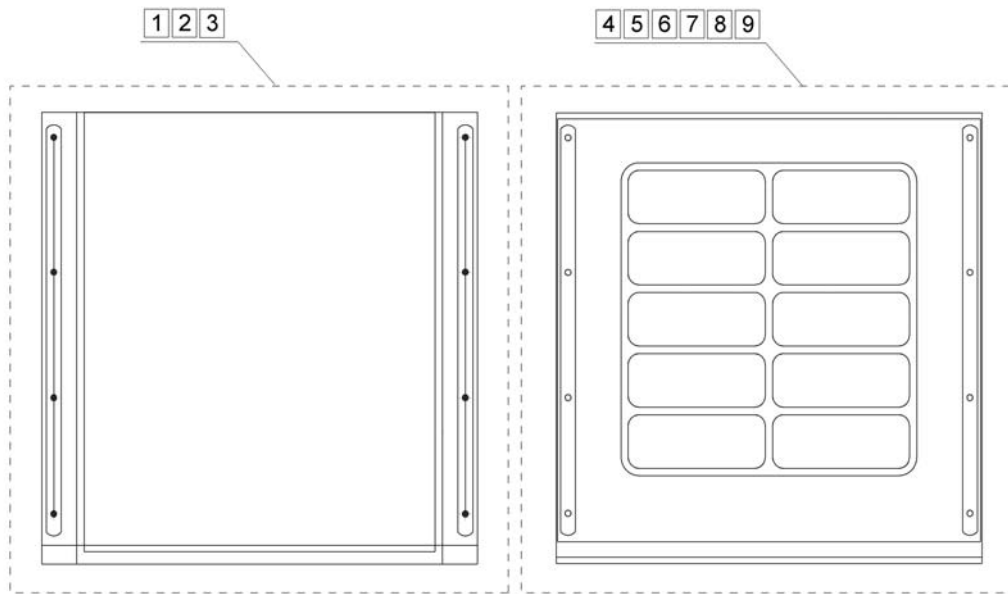
Pos.	Part number	Description	Valid from → until	Qty
1	8881102882	Solid Seat Insert 20"W x 18"D		1
2	8881102883	Solid Seat Insert 22"W x 18"D		1
3	8881102168	Solid Seat Insert 24"W x 18"D		1
4	8881102169	Solid Seat Insert 26"W x 18"D		1
5	8881102170	Solid Seat Insert 28"W x 18"D		1
6	8881102171	Solid Seat Insert 30"W x 18"D		1
7	8881102172	Solid Seat Insert 20"W x 20"D		1
8	8881102173	Solid Seat Insert 22"W x 20"D		1
9	8881102174	Solid Seat Insert 24"W x 20"D		1
10	8881102175	Solid Seat Insert 26"W x 20"D		1
11	8881102176	Solid Seat Insert 28"W x 20"D		1
12	8881102177	Solid Seat Insert 30"W x 20"D		1





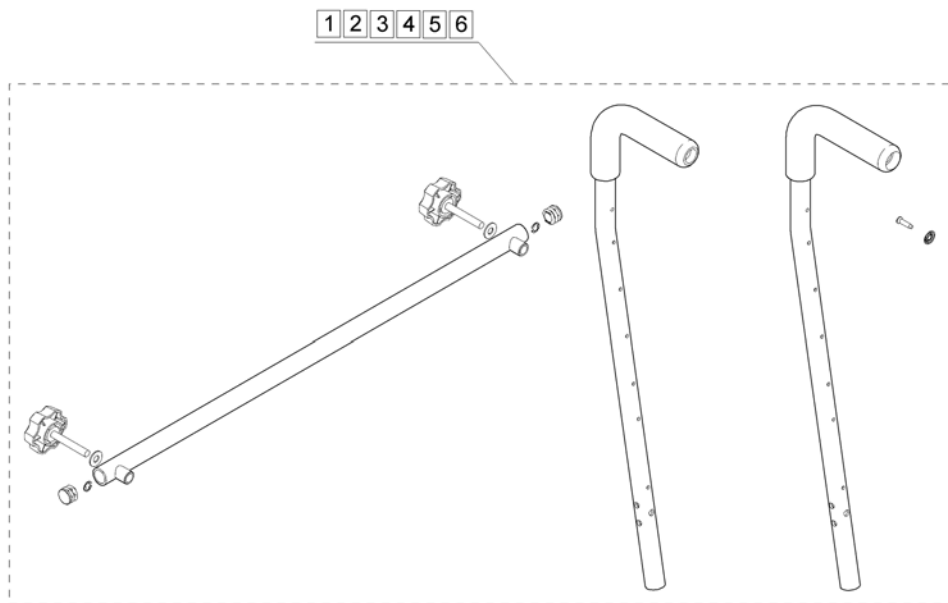
Pos.	Part number	Description	Valid from → until	Qty
1	1100785	Back Cane Hardware Kit (pair)		1
2	1032245	Hand Grip, Foam		1

# Back Upholstery



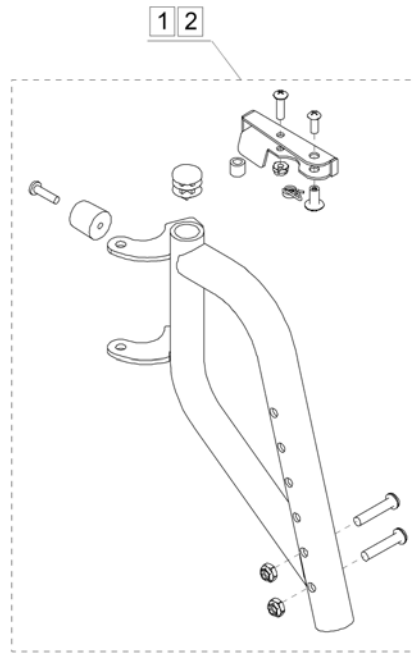
Pos.	Part number	Description	Valid from → until	Qty
1	1101503	Back Upholstery (26" w) - Nylon - French		1
2	1101504	Back Upholstery (28" w) - Nylon - French		1
3	1101505	Back Upholstery (30" w) - Nylon - French		1
4	8881101472	Back Upholstery (20" w) - Vinyl - UK		1
5	8881101473	Back Upholstery (22" w) - Vinyl - UK		1
6	8881101474	Back Upholstery (24" w) - Vinyl - UK		1
7	8881101475	Back Upholstery (26" w) - Vinyl - UK		1
8	8881101476	Back Upholstery (28" w) - Vinyl - UK		1
9	8881101477	Back Upholstery (30" w) - Vinyl - UK		1
10	1101446	Seat Hardware, 20" Deep Chair		1

## Push Bar

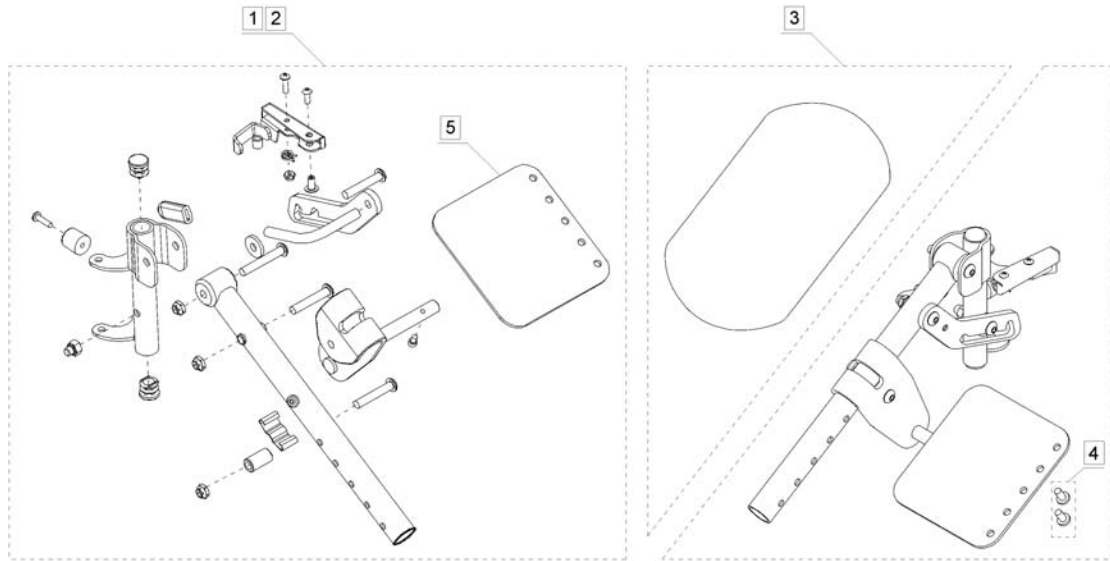


Pos.	Part number	Description	Valid from → until	Qty
1	1104118	Push Bar Assembly with Back Canes (Kit) (20"W)		1
2	1104119	Push Bar Assembly with Back Canes (Kit) (22"W)		1
3	1104120	Push Bar Assembly with Back Canes (Kit) (24"W)		1
4	1104121	Push Bar Assembly with Back Canes (Kit) (26"W)		1
5	1104122	Push Bar Assembly with Back Canes (Kit) (28"W)		1
6	1104123	Push Bar Assembly with Back Canes (Kit) (30"W)		1

# Swing Away Legrest



Pos.	Part number	Description	Valid from → until	Qty
1	8881101462	Swing Away Legrest Hanger Bracket - Right		1
2	8881101463	Swing Away Legrest Hanger Bracket - Left		1



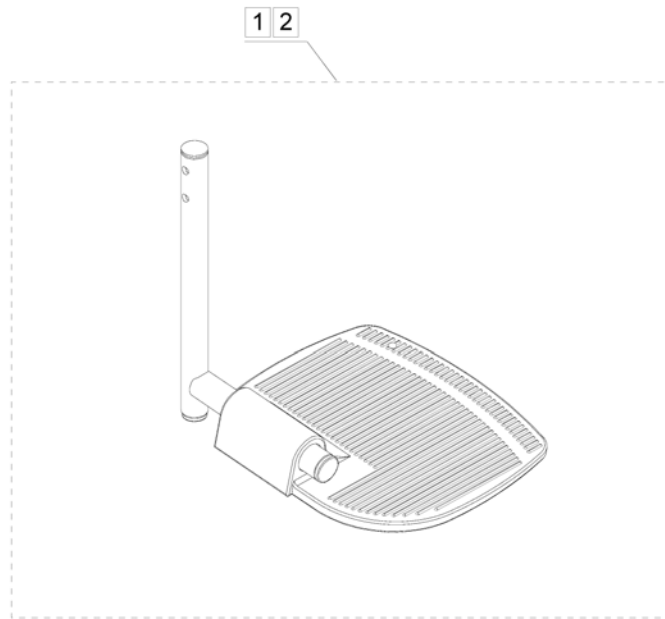
Pos.	Part number	Description	Valid from → until	Qty
1	1102164	Elevating Legrest Hanger Bracket - Right		1
2	1102165	Elevating Legrest Hanger Bracket - Left		1
3	8881091811	Calf Pad - Right / Left		1
4	1104304	Calf Pad Hardware (2 OFF 1/4" x 1/2"UNC Screws)		1
5	1100758	Calf Pad Mounting Plate		1

## Calf Strap

Not Illustrated

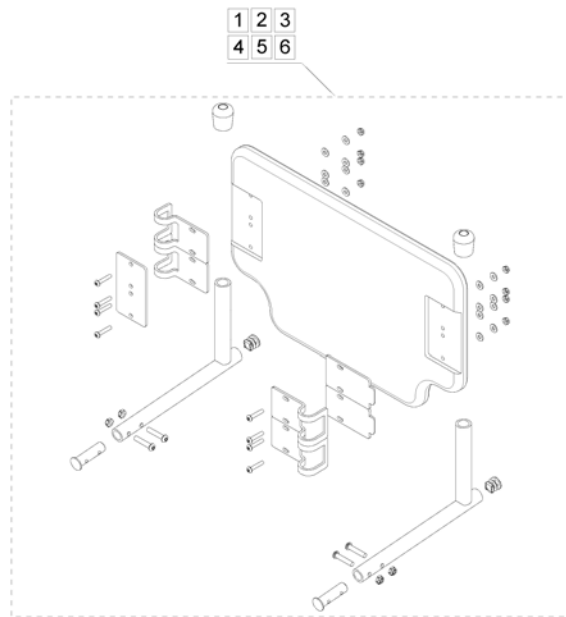
Pos.	Part number	Description	Valid from → until	Qty
1	1102745	Calf Strap (20" Wide Chair)		1
2	1102746	Calf Strap (22" Wide Chair)		1
3	1102747	Calf Strap (24" Wide Chair)		1
4	1102748	Calf Strap (26" Wide Chair)		1
5	1102749	Calf Strap (28" Wide Chair)		1
6	1102750	Calf Strap (30" Wide Chair)		1

# Footrest



Pos.	Part number	Description	Valid from → until	Qty
1	1101440	Pivot Slide Tube /w Foot Plate Assy Chrome RH		1
2	1101441	Pivot Slide Tube /w Foot Plate Assy Chrome LH		1

# One Piece Footboard



Pos.	Part number	Description	Valid from → until	Qty
1	1102205	One Piece Footboard Assembly (20"W)		1
2	1102206	One Piece Footboard Assembly (22"W)		1
3	1102207	One Piece Footboard Assembly (24"W)		1
4	1102208	One Piece Footboard Assembly (26"W)		1
5	1102209	One Piece Footboard Assembly (28"W)		1
6	1102210	One Piece Footboard Assembly (30"W)		1

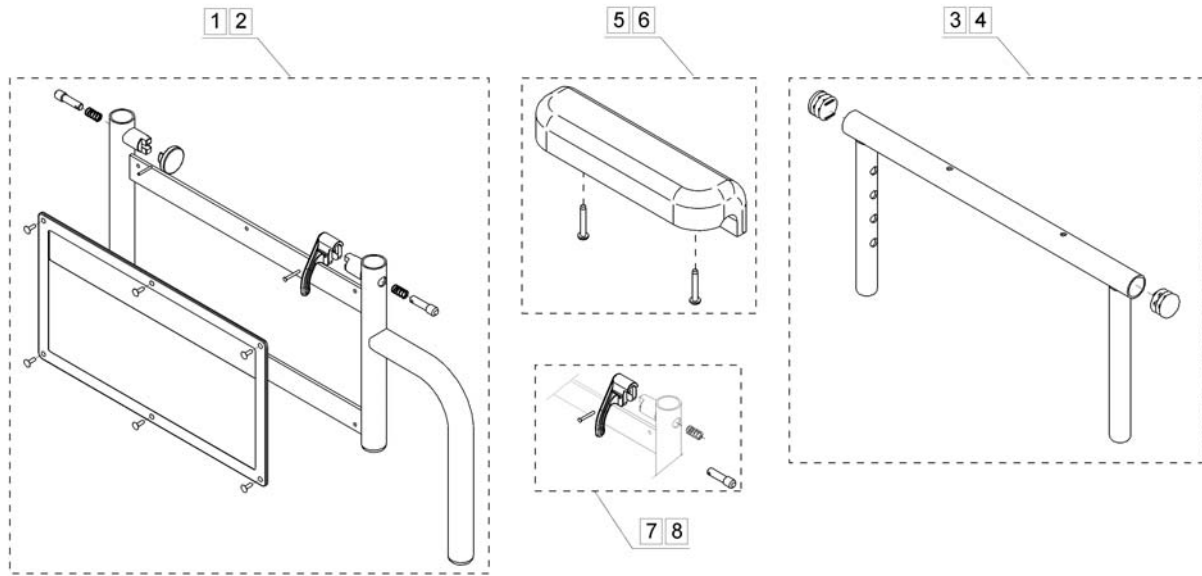


**Heel Loops**

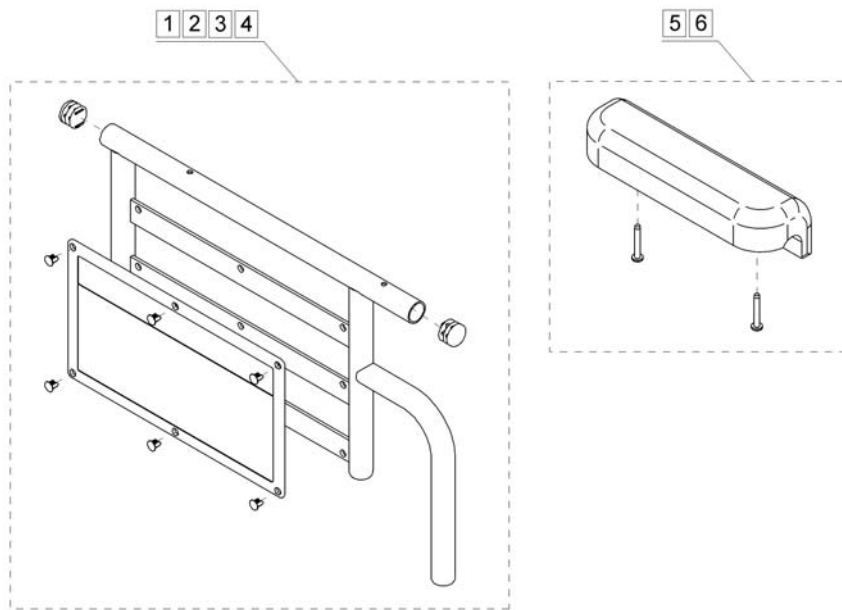
Not Illustrated

<b>Pos.</b>	<b>Part number</b>	<b>Description</b>	<b>Valid from → until</b>	<b>Qty</b>
1	1035917	Heel Loop (w/o Hardware) (pair)		1
2	1035926	No description available.		1

# Adjustable Height Arms

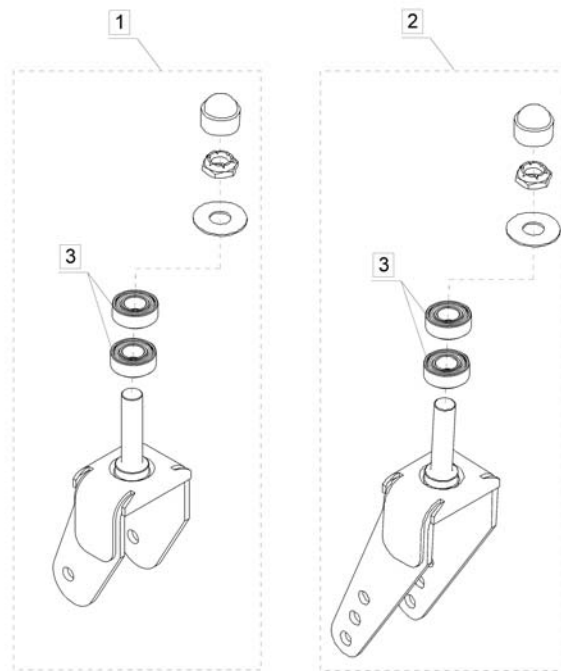


Pos.	Part number	Description	Valid from → until	Qty
1	8881136071	Arm Base Assembly - Right		1
2	8881136072	Arm Base Assembly - Left		1
3	8881101489	Armrest, Adjustable Top, Full Length, Black		1
4	1101491	Armrest, Adjustable Top, Desk Length, Black		1
5	1110817	Desk Armpad Kit (pair), Black Urethane (9"L x 2-5/8"W)		1
6	1110818	Full Armpad Kit (pair), Black Urethane (13"L x 2-5/8"W)		1
7	7100053	Armlock Assembly, Black - Right		1
8	7100054	Armlock Assembly, Black - Left		1



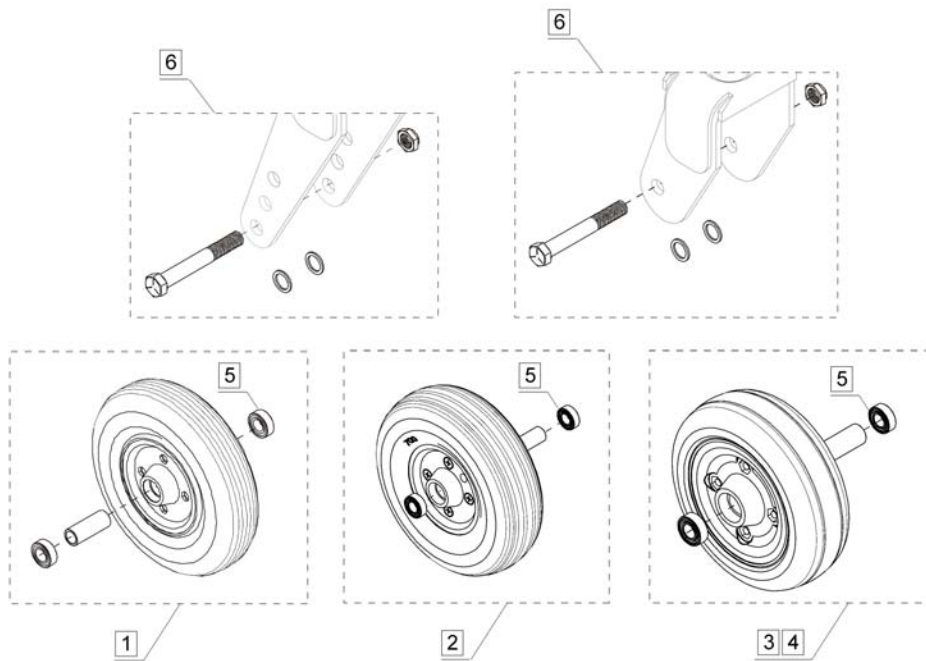
Pos.	Part number	Description	Valid from → until	Qty
1	8881136077	Full Arm Base Assembly, Right, Black		1
2	8881136078	Full Arm Base Assembly, Left, Black		1
3	8881136081	Desk Arm Base Assembly, Right, Black		1
4	8881136082	Desk Arm Base Assembly, Left, Black		1
5	1117327	Desk Armpad Kit, Black Urethane (9"L x 2-5/8"W)		1
6	1117328	Full Armpad Kit, Black Urethane (13"L x 2-5/8"W)		1

# Castor Fork Assembly



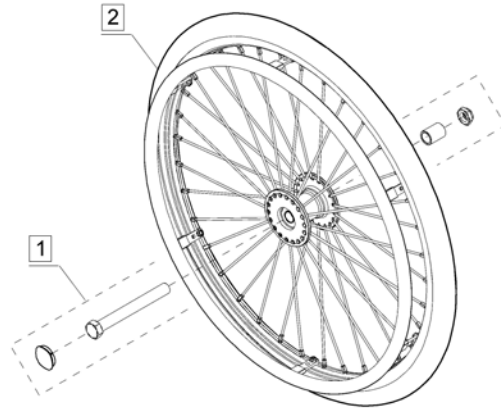
Pos.	Part number	Description	Valid from → until	Qty
1	1100810	Fork Assembly (6")		1
2	1100811	Fork Assembly (8")		2
3	40117X006	Bearing (5/8")		1

## Front Castor



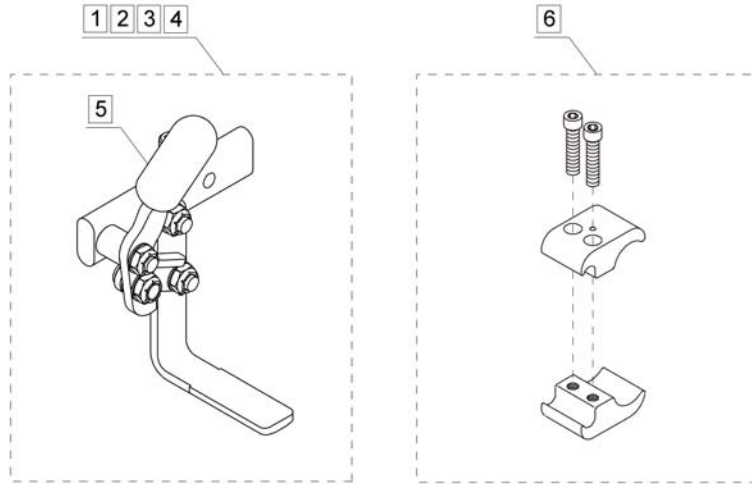
Pos.	Part number	Description	Valid from → until	Qty
1	1071666	Castor Assembly, Semi Pneumatic, Urethane, Light Grey (8" x 1-3/4") (Pair)		1
2	1119532	Castor Assembly, Semi Pneumatic, Urethane, Dark Grey (8" x 1-3/4") (Each)		2
3	1133469	Castor Assembly, Semi Pneumatic, Urethane, Dark Grey (8" x 2")		1
4	1122066	Castor Assembly, Semi Pneumatic, Urethane, Deep Profile (6" x 2") (Pair)		1
5	1006049	8" Castor Wheel Bearings		1
6	1034168	Castor Hardware Kit (pair)		1

## Rear Wheel



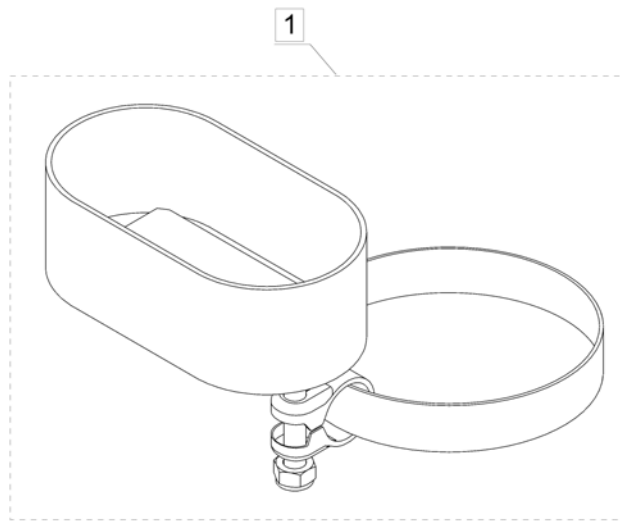
Pos.	Part number	Description	Valid from → until	Qty
1	1067777	Rear Wheel Hardware Kit		1
2	1123894	24" Solid HD Spoked Rear Wheel Kit (pair)		1

# Brake



Pos.	Part number	Description	Valid from → until	Qty
1	1049539	Brake, High Mount, Pull To Lock - Right		1
2	1049540	Brake, High Mount, Pull To Lock - Left		1
3	1047703	Brake, High Mount, Push To Lock - Right		1
4	1047704	Brake, High Mount, Push To Lock - Left		1
5	47376X024	Rubber Tip, Brake Handle, Black		1
6	1039343	Brake Hardware Kit, (pair)		1

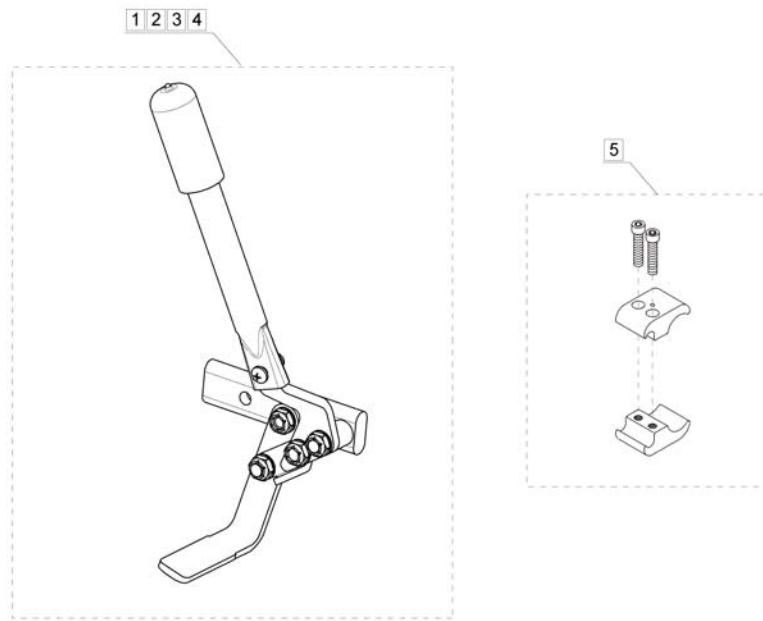
## Crutch & Cane Holder



Pos.	Part number	Description	Valid from → until	Qty
1	1034204	Crutch and Cane Holder		1

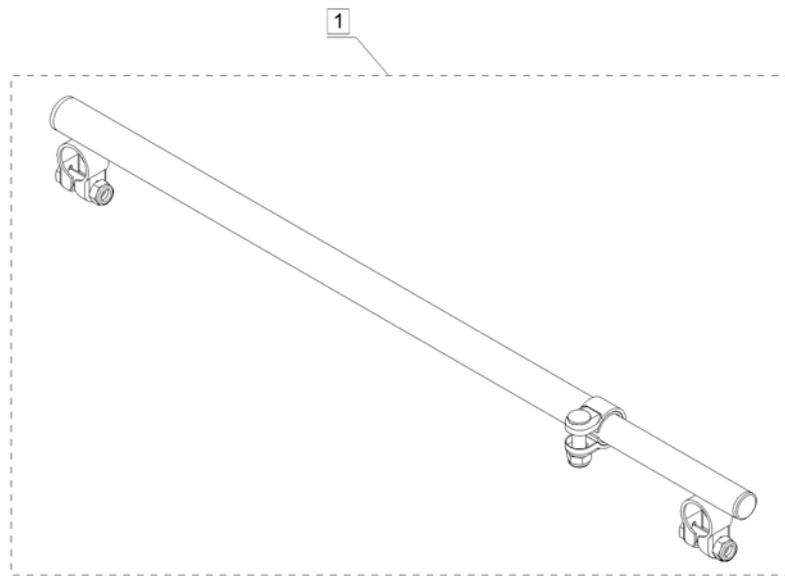


## Brake Extension 6"



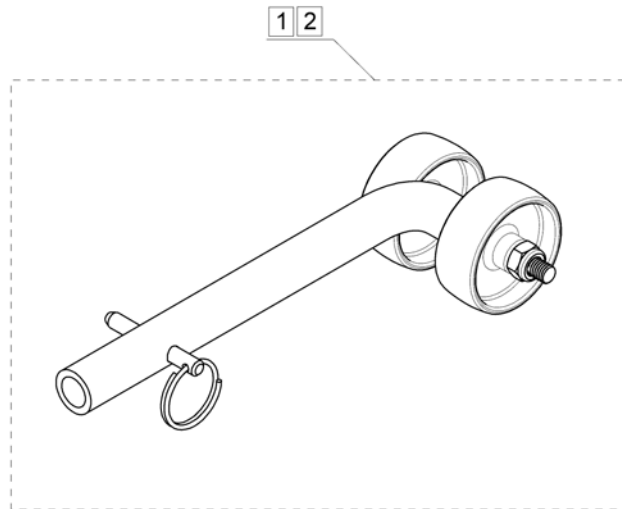
Pos.	Part number	Description	Valid from → until	Qty
1	1531807	Brake Extension Assembly RH Pull to Lock		1
2	1531808	Brake Extension Assembly LH Pull to Lock		1
3	1531809	Brake Extension Assembly RH Push to Lock		1
4	1531810	Brake Extension Assembly LH Push to Lock		1
5	1039343	Brake Hardware Kit, (pair)		1

## Non Folding Device Assembly



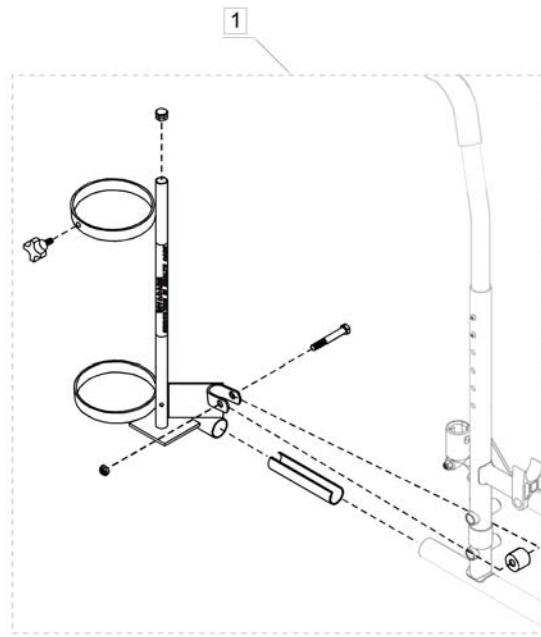
Pos.	Part number	Description	Valid from → until	Qty
1	1148705	Non-Folding Device Assembly, 20-30" Wide		1

## Anti Tippers



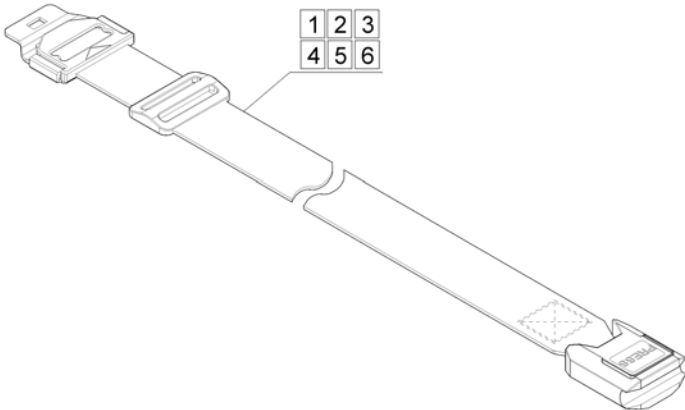
Pos.	Part number	Description	Valid from → until	Qty
1	1104957	Anti-Tippers (Pair 15-1/2" to 17-1/2")		1
2	1104958	Anti-Tippers (Pair 19-1/2")		1

# Oxygen Holder



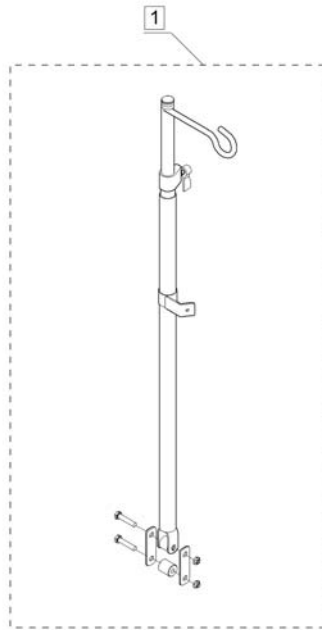
Pos.	Part number	Description	Valid from → until	Qty
1	1098829	Oxygen Holder		1

# Seat Positioning Straps



Pos.	Part number	Description	Valid from → until	Qty
1	1104959	Positioning Strap (20" Wide)		1
2	1104960	Positioning Strap (22" Wide)		1
3	1104961	Positioning Strap (24" Wide)		1
4	1104962	Positioning Strap (26" Wide)		1
5	1104963	Positioning Strap (28" Wide)		1
6	1104964	Positioning Strap (30" Wide)		1

## I.V. Rod



Pos.	Part number	Description	Valid from → until	Qty
1	1102945	Telescoping I.V. Rod		1





Yes, you can.®



---

**Belgium & Luxemburg:**

Invacare nv, Autobaan 22, B-8210 Loppem  
Tel: (32) (0)50 83 10 10, Fax: (32) (0)50 83 10 11  
belgium@invacare.com / www.invacare.be

**Denmark:**

Invacare A/S, Sdr. Ringvej 37, DK-2605 Brøndby  
Tel: (45) (0)36 90 00 00, Fax: (45) (0)36 90 00 01  
denmark@invacare.com / www.invacare.dk

**Deutschland:**

Invacare Aquatec GmbH, Alemannenstraße 10, D-88316 Isny  
Tel: (49) (0)75 62 7 00 0, Fax: (49) (0)75 62 7 00 66  
info@invacare-aquatec.com / www.invacare-aquatec.de

**European Distributor Organisation:**

Invacare, Kleiststraße 49, D-32457 Porta Westfalica  
Tel: (49) (0)57 31 754 540, Fax: (49) (0)57 31 754 541  
edo@invacare.com / www.invacare.eu.com

**España:**

Invacare SA, c/Areny s/n, Polígon Industrial de Celrà, E-17460 Celrà (Girona)  
Tel: (34) (0)972 49 32 00, Fax: (34) (0)972 49 32 20  
contactsp@invacare.com / www.invacare.es

**France:**

Invacare Poirier SAS, Route de St Roch, F-37230 Fondettes  
Tel: (33) (0)2 47 62 64 66, Fax: (33) (0)2 47 42 12 24  
contactfr@invacare.com / www.invacare.fr

**Ireland:**

Invacare Ireland Ltd, Unit 5 Seatown Business Campus, Seatown Road, Swords, County Dublin - Ireland  
Tel: (353) 1 810 7084, Fax: (353) 1 810 7085  
ireland@invacare.com / www.invacare.ie

**Italia:**

Invacare Mecc San s.r.l., Via dei Pini 62, I-36016 Thiene (VI)  
Tel: (39) 0445 38 00 59, Fax: (39) 0445 38 00 34  
italia@invacare.com / www.invacare.it

**Nederland:**

Invacare BV, Celsiusstraat 46, NL-6716 BZ Ede  
Tel: (31) (0)318 695 757, Fax: (31) (0)318 695 758  
nederland@invacare.com, csede@invacare.com / www.invacare.nl

**Norge:**

Invacare AS, Grensesvingen 9, Postboks 6230, Etterstad, N-0603 Oslo  
Tel: (47) (0)22 57 95 00, Fax: (47) (0)22 57 95 01  
norway@invacare.com, island@invacare.com / www.invacare.no

**Österreich:**

Invacare Austria GmbH, Herzog Odilostrasse 101, A-5310 Mondsee  
Tel: (43) 6232 5535 0, Fax: (43) 6232 5535 4  
info-austria@invacare.com / www.invacare.at

**Portugal:**

Invacare Lda, Rua Estrada Velha, 949, P-4465-784 Leça do Balio  
Tel: (351) (0)225 1059 46/47, Fax: (351) (0)225 1057 39  
portugal@invacare.com / www.invacare.pt

**Sverige & Suomi:**

Invacare AB, Fagerstagatan 9, S-163 91 Spånå  
Tel: (46) (0)8 761 70 90, Fax: (46) (0)8 761 81 08  
sweden@invacare.com, finland@invacare.com / www.invacare.se

**Switzerland:**

Invacare AG, Benkenstrasse 260, CH-4108 Witterswil  
Tel: (41) (0)61 487 70 80, Fax: (41) (0)61 487 70 81  
switzerland@invacare.com / www.invacare.ch

**United Kingdom:**

Invacare Limited, Pencoed Technology Park, Pencoed, Bridgend CF35 5AQ  
Switchboard Tel: (44) (0)1656 776200, Fax: (44) (0)1656 776201  
Customer services Tel: (44) (0)1656 776222, Fax: (44) (0)1656 776220  
uk@invacare.com / www.invacare.co.uk